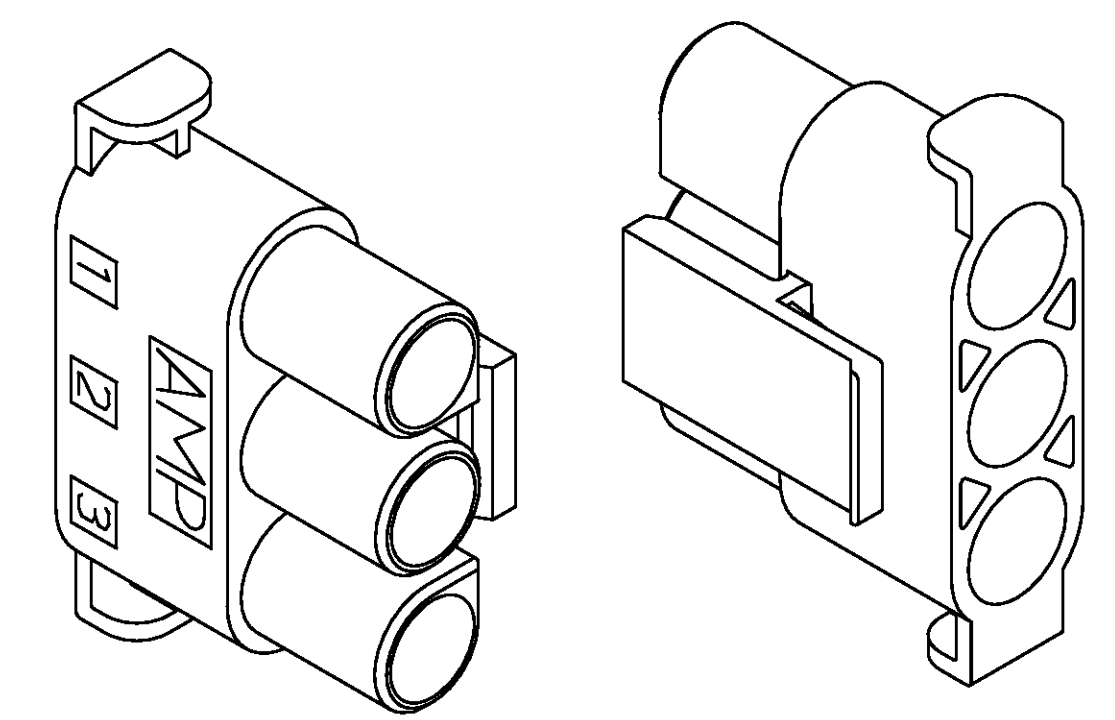
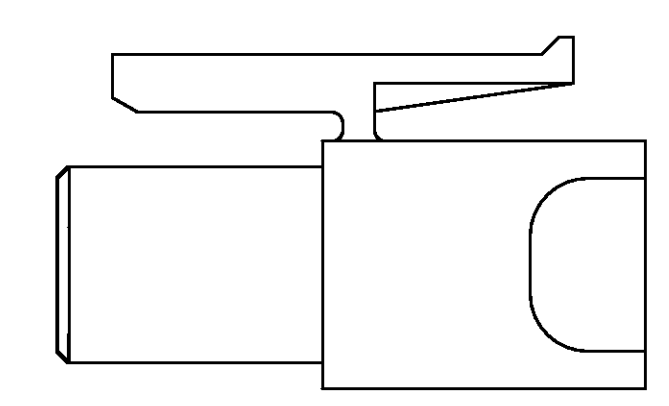
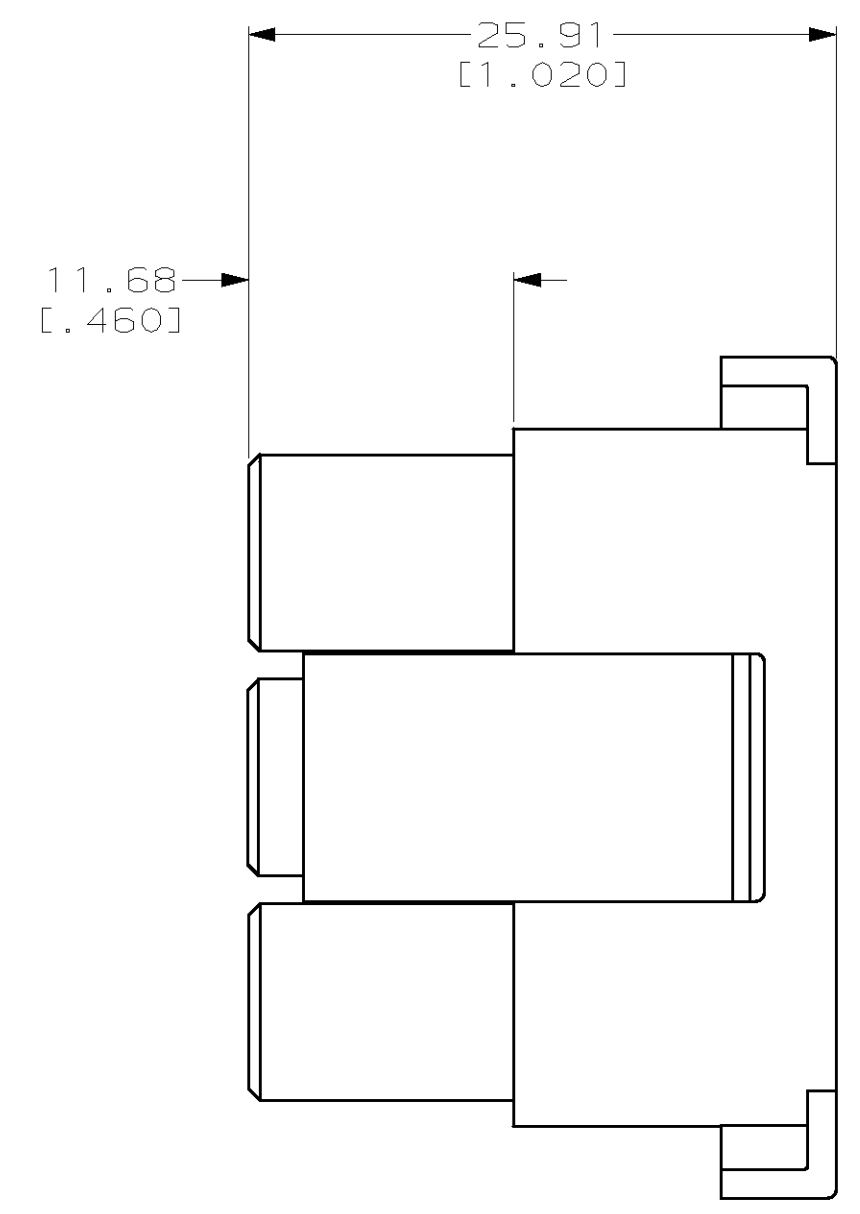
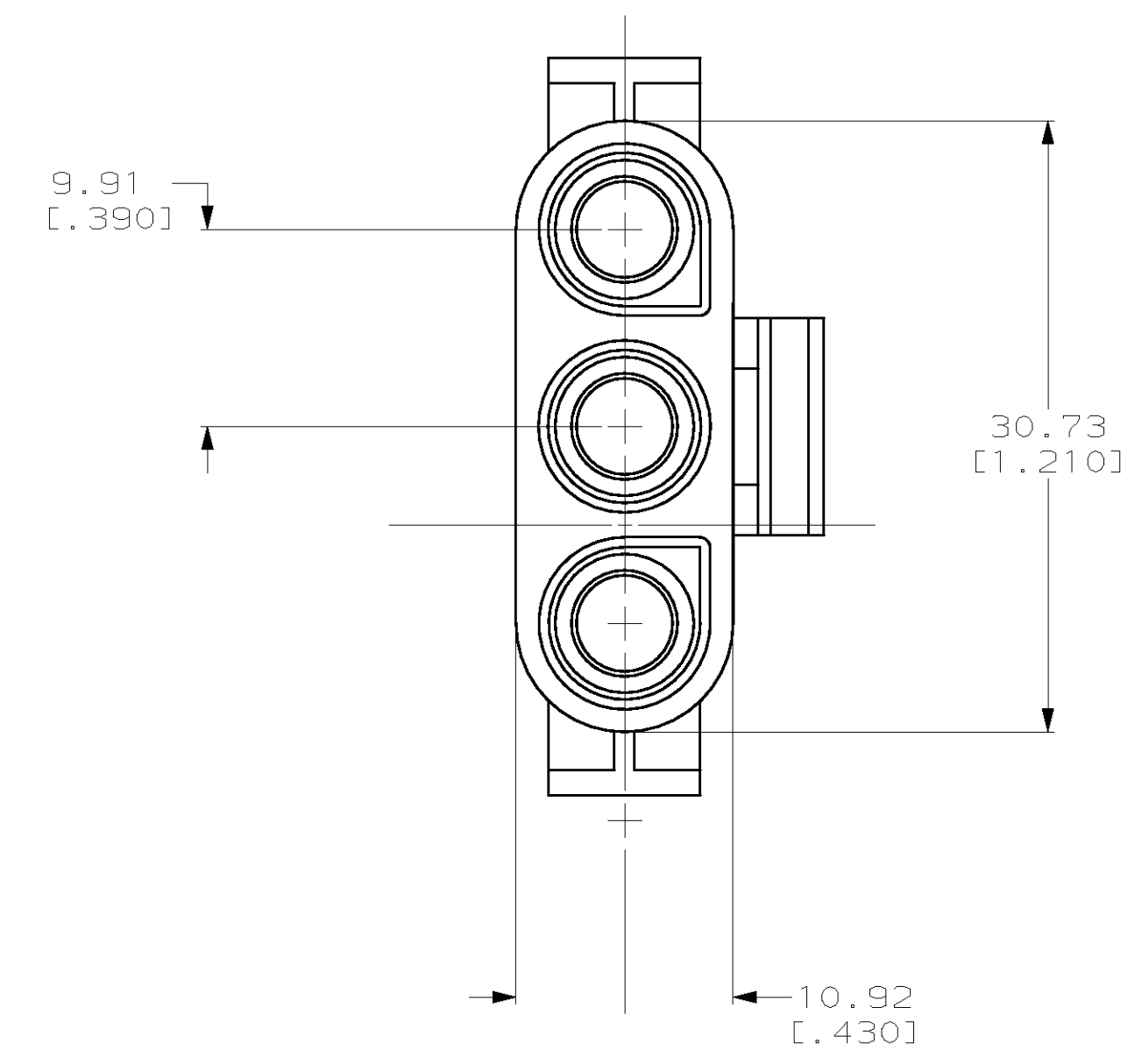
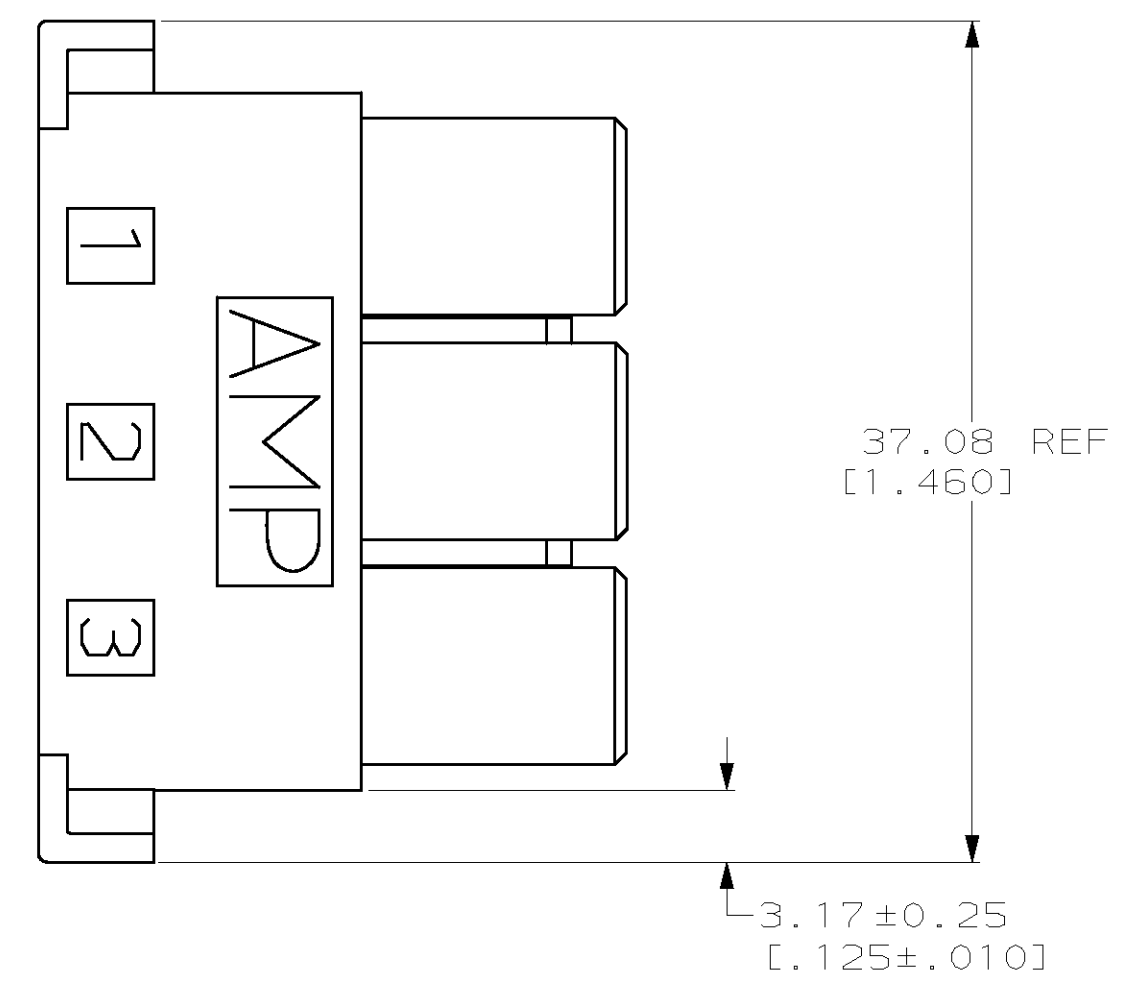


LOC		QTY		REVISIONS			
CM	53	TR	LYR	DESCRIPTION	DATE	OWN	APVD
		0		RLSD PER PR CM 97-92	8-05-97	BL	RS

1. TO BE USED WITH APPROPRIATE 3.96 [.156] MATE-N-LOK SOCKETS.
2. DIMENSIONS IN BRACKETS ARE IN INCHES.



3-DIMENSIONAL MODEL
NTS

794412-1
PART NUMBER

METRIC

THIS DRAWING IS A CONTROLLED DOCUMENT.		OWN B. LEWIS 8-05-97	AMP AMP Incorporated Harrisburg, PA 17105-3608													
DIMENSIONS: INCHES		CHK R. SWING 8-05-97	APVD G. MARTIN 8-05-97	NAME PLUG, 3 CIRCUIT, .156 MATE-N-LOK™												
TOLERANCES UNLESS OTHERWISE SPECIFIED:		PRODUCT SPEC														
<table border="0"> <tr><td>Ø PLC</td><td>±-</td></tr> <tr><td>Ø PLC</td><td>±-</td></tr> <tr><td>Ø PLC</td><td>±-</td></tr> <tr><td>Ø PLC</td><td>±0.13 (.005)</td></tr> <tr><td>Ø PLC</td><td>±-</td></tr> <tr><td>ANGLES</td><td>±- 40°30'</td></tr> </table>		Ø PLC	±-	Ø PLC	±-	Ø PLC	±-	Ø PLC	±0.13 (.005)	Ø PLC	±-	ANGLES	±- 40°30'	APPLICATION SPEC		
Ø PLC	±-															
Ø PLC	±-															
Ø PLC	±-															
Ø PLC	±0.13 (.005)															
Ø PLC	±-															
ANGLES	±- 40°30'															
MATERIAL NYLON UL94V-2		HEIGHT -														
FINISH -		SCALE 3:1														
CUSTOMER DRAWING		DRAWING NO A1 00779 C-794412														
		SHEET 1 OF 1 REV 0														